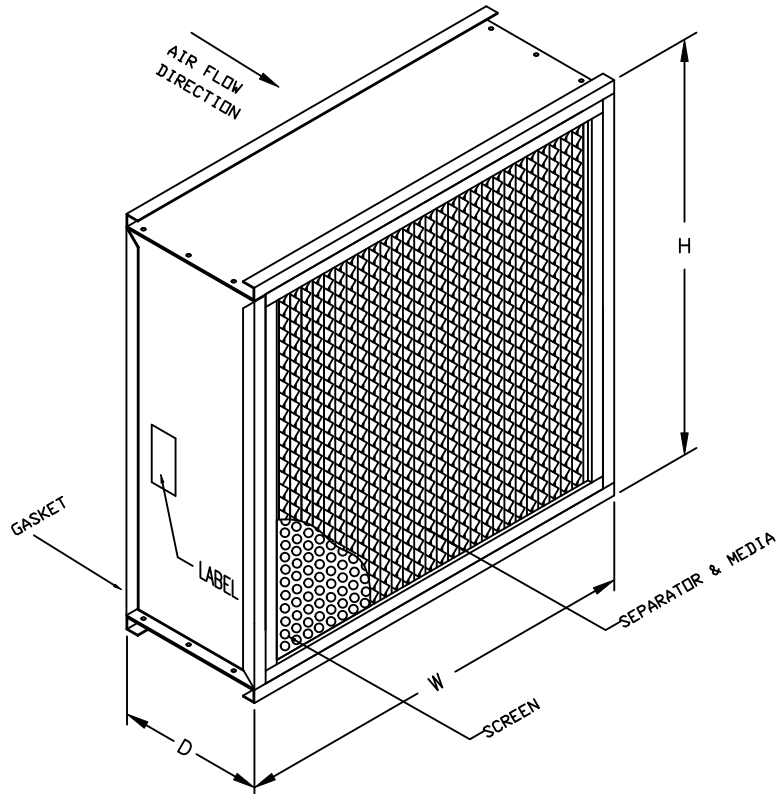


DESCRIPTION	SIZE (H x W x D) (in inches)	CAPACITY (CFM) @ 1.00 IN. W. G.	PART NUMBER
01FS-24Z30Z06-5U-2-E-A-2D-0/00	24 x 30 x 5-7/8	730	855220132
01FS-36Z24Z06-5U-2-E-A-2D-0/00	36 x 24 x 5-7/8	900	855220481
01FS-30Z30Z06-5U-2-E-A-2D-0/00	30 x 30 x 5-7/8	940	855227199
01FS-30Z24Z06-5U-2-E-A-2D-0/00	30 x 24 x 5-7/8	730	855227203
01FS-24Z24Z06-5U-2-E-A-2D-0/00	24 x 24 x 5-7/8	570	855220061
01FS-18Z24Z06-5U-2-E-A-2D-0/00	18 x 24 x 5-7/8	410	855220131
01FS-24Z18Z06-5U-2-E-A-2D-0/00	24 x 18 x 5-7/8	410	855220446
01FS-24Z12Z06-5U-2-E-A-2D-0/00	24 x 12 x 5-7/8	250	SUBMITTAL
01FS-18Z18Z06-5U-2-E-A-2D-0/00	18 x 18 x 5-7/8	300	855220377
01FS-24Z36Z06-5U-2-E-A-2D-0/00	24 x 36 x 5-7/8	900	SUBMITTAL
01FS-12Z24Z06-5U-2-E-A-2D-0/00	12 X 24 x 5-7/8	250	855220320
01FS-34H23H06-5U-2-E-A-2D-0/00	34-1/2 x 23-1/2 x 5-7/8	840	855227219
01FS-12Z12Z06-5U-2-E-A-2D-0/00	12 X 12 x 5-7/8	110	85522XXXX



MATERIAL NOTES:

1. FILTER MEDIA: MICRO-GLASS FIBER / ACRYLIC RESIN BINDER
2. SEPARATOR MAT'L: CORRUGATED, 1145 ALUMINUM
3. FRAME MAT'L: 16 GAUGE 304 STAINLESS STEEL
4. SEALANT MAT'L: TWO PART HIGH TEMPERATURE CERAMIC POTTING COMPOUND KADWOOD, CERAMIC PAD
5. GASKET MATERIAL: 1/4 X 3/4 HIGH TEMPERATURE, CERAMIC, UPSTREAM SIDE.
6. SCREEN MATERIAL: 1/4 PERFORATED, 18 GAUGE 304 STAINLESS STEEL, DOWNSTREAM

TESTING NOTES:

1. EACH FILTER SHALL BE TESTED FOR EFFICIENCY IN ACCORDANCE WITH IEST-RP-CC-007.
2. FILTER MEETS IEST-RP-CC001 TYPE H PERFORMANCE LEVEL.

FILTER SPECIFICATIONS:


PLEAT DEPTH (IN): 5-3/16 NOMINAL
 EFFICIENCY: 99.97% MIN vs. 0.2-0.3 micron
 MAX. REL. HUMIDITY: 99%
 MAX. OPERATING TEMP: 750°F

UL RATING:

1. FILTERS MEET UL-900.

FRAME TOLERANCES:

LENGTHS: +0, -1/8"
 DIAGONALS: WITHIN 1/8" TOTAL ALLOWANCE FOR DIAGNALS < 30 in.
 WITHIN 1/4" TOTAL ALLOWANCE FOR DIAGNALS ≥ 30 in.

CUSTOMER APPROVAL BLOCK			
YOUR APPROVAL OF THIS PRINT AUTHORIZES CAMFIL USA INC. TO PROCEED WITH MATERIAL PROCUREMENT, TOOLING AND PRODUCT FABRICATION. ANY CHANGES MADE AFTER APPROVAL MAY INCUR FURTHER EXPENSES TO THE CUSTOMER.		©Camfil USA Inc. http://www.camfil.com	
<input type="checkbox"/> OK AS IS <input type="checkbox"/> SEND REVISED DWG.		DESCRIPTION CUSTOM ABSOLUTE F SERIES FILTER	
SIGNATURE/DATE _____			
COMPANY NAME _____			
APPROVED BY:	DATE:	DRAWN BY:	DATE:
JC	1/9/09	JP	1/9/09
SHEET		DRAWING NUMBER	
1 of 1		501221	
		REV.	
		B	