

DESCRIPTION	SIZE (H x W x D) (in inches)	CAPACITY (CFM) @ 1.00 IN. W. C.	PART NUMBER
01FS-24Z30Z06-5B-2-E-A-2D-0/00	24 x 30 x 5-7/8	730	855220187
01FS-24Z24Z06-5B-2-E-A-2D-0/00	24 x 24 x 5-7/8	570	855220312
01FS-20Z13J06-5B-2-E-A-2D-0/00	20 x 13-5/8 x 5-7/8	240	855220313
01FS-12Z24Z06-5B-2-E-A-2D-0/00	12 x 24 x 5-7/8	250	855220305
01FS-16Z16Z06-5B-2-E-A-2D-0/00	16 x 16 x 5-7/8	220	85522XXXX
01FS-19Z31Z06-5B-2-E-A-2D-0/00	19 x 31 x 5-7/8	580	855220487
01FS-24Z31Z06-5B-2-E-A-2D-0/00	24 x 31 x 5-7/8	760	855220488

- MATERIAL NOTES:**
1. FILTER MEDIA: MICRO-GLASS FIBER / ACRYLIC RESIN BINDER
 2. SEPARATOR MAT'L: CORRUGATED, 0.0012 THICK, 1145 ALUMINUM
 3. FRAME MAT'L: 16 GAUGE 304 STAINLESS STEEL
 4. SEALANT MAT'L: TWO PART HIGH TEMPERATURE CERAMIC POTTING COMPOUND KADWOOL, CERAMIC PAD
 5. GASKET MATERIAL: 1/4 X 3/4 HIGH TEMPERATURE, CERAMIC, BOTH SIDES.
 6. SCREEN MATERIAL: 1/4 PERFORATED, 18 GAUGE 304 STAINLESS STEEL, DOWNSTREAM

- TESTING NOTES:**
1. EACH FILTER SHALL BE TESTED FOR EFFICIENCY IN ACCORDANCE WITH IEST-RP-CC-007.
 2. FILTER MEETS IEST-RP-CC001 TYPE H PERFORMANCE LEVEL.

FILTER SPECIFICATIONS:

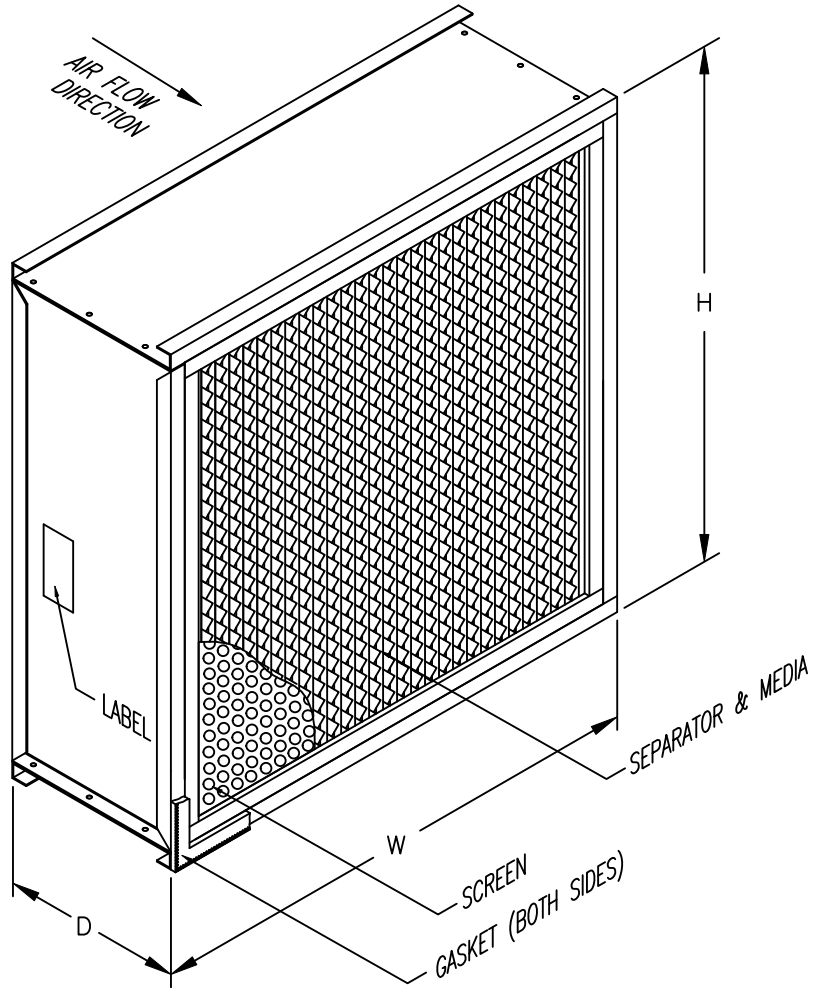
PLEAT DEPTH (IN): 5-3/16 NOMINAL
 EFFICIENCY: 99.97% MIN vs. 0.2-0.3 micron
 MAX. OPERATING TEMP: 750 °F
 MAX. REL. HUMIDITY: 99%


UL RATING:

1. FILTERS MEET UL-900

FRAME TOLERANCES:

LENGTHS: +0, -1/8"
 DIAGONALS: WITHIN 1/8" TOTAL ALLOWANCE FOR DIAGONALS < 30 in.
 WITHIN 1/4" TOTAL ALLOWANCE FOR DIAGONALS ≥ 30 in.



CUSTOMER APPROVAL BLOCK		SHEET		DRAWING NUMBER		REV.
YOUR APPROVAL OF THIS PRINT AUTHORIZES CAMFIL USA INC. TO PROCEED WITH MATERIAL PROCUREMENT, TOOLING AND PRODUCT FABRICATION. ANY CHANGES MADE AFTER APPROVAL MAY INCUR FURTHER EXPENSES TO THE CUSTOMER. <input type="checkbox"/> OK AS IS <input type="checkbox"/> SEND REVISED DWG.		 ©Camfil USA Inc. http://www.camfil.com		DESCRIPTION CUSTOM ABSOLUTE FILTER HIGH TEMP F-SERIES		
SIGNATURE/DATE _____						
COMPANY NAME _____						
APPROVED BY:	DATE:	DRAWN BY:	DATE:			
JC	02/18/10	TG	02/18/10	1 of 1		A
				502128		